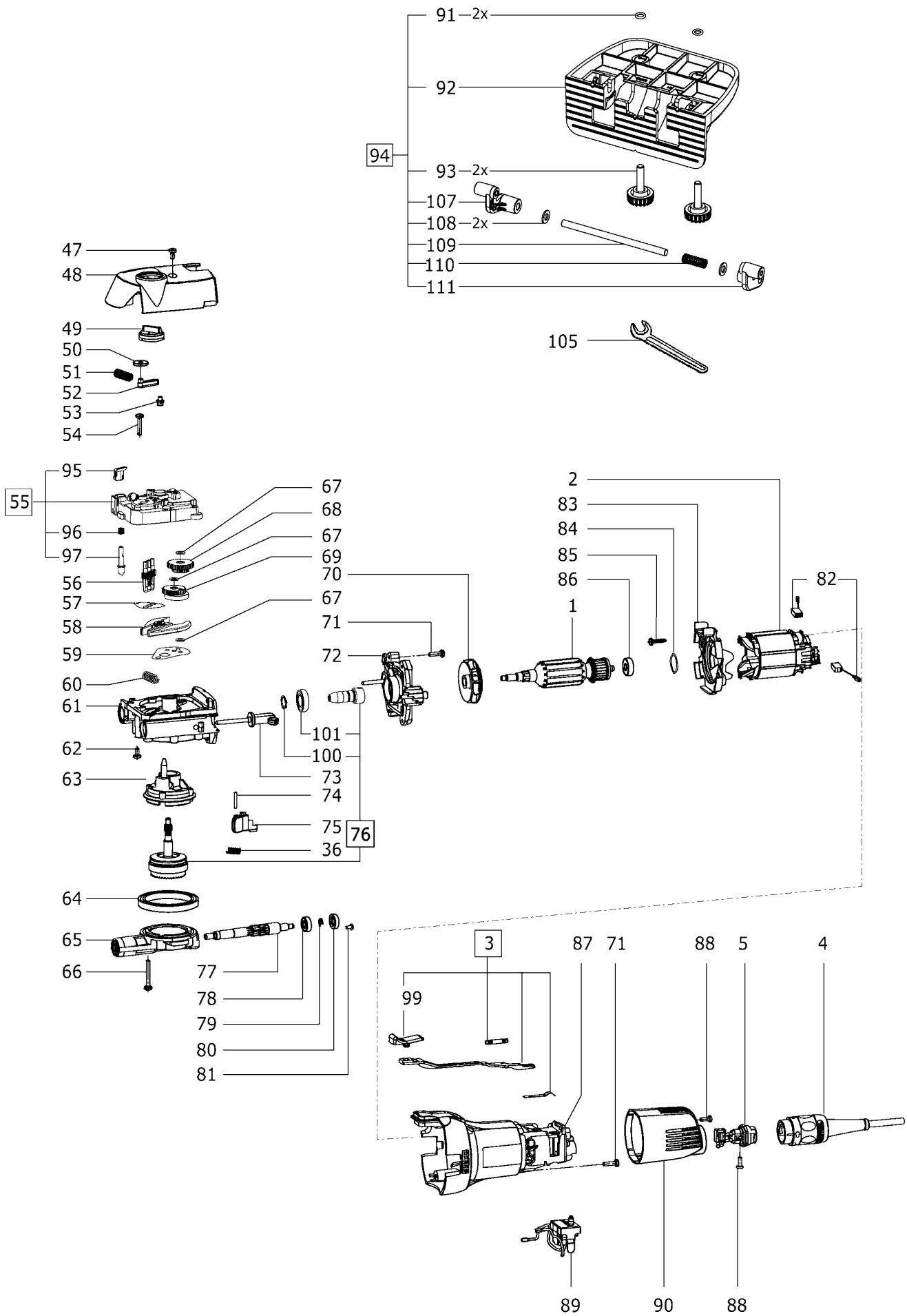


495287 - DF 500 Q 230V-240V

495287 - DF 500 Q 230V-240V



495287 - DF 500 Q 230V-240V

Pos	Part No.	Description	Quantity	Price each Excl VAT	Price incl VAT	Currency	storage location	Warranty
1	493904	Armature 230 V	1					Yes
2	493906	Field assembly 230 V	1					Yes
3	494014	Switch linkage	1					Yes
4	---	Accessories - article no see catalog / price list	1					
5	492643	Socket housing EU	1					Yes
6	434597	Upper section of pistol	1					Yes
7	401076	Screw	1					Yes
9	434596	Lower section of pistol	1					Yes
10	469040	Pull rod	1					Yes
11	761515	Washer 5,3 mm	3					Yes
12	493779	R - segment	1					Yes
13	469141	Pin	2					Yes
14	10001284	Base	1					Yes
15	401104	Threaded pin	2					Yes
16	400983	Raised-head screw	5					Yes
17	701458	Scale	1					Yes
18	493928	V - slide	1					Yes
19	400286	Pressure clamping element	3					Yes
20	203387	Threaded pin M4 x 12	1					Yes
21	469075	Sleeve	1					Yes
22	465575	Threaded pin	2					Yes
23	499023	Segment	1					Yes
24	499023	Segment	1					Yes
25	470216	Raised-head screw M4 x 12	2					Yes
26	465079	Lever	2					Yes
27	400211	Flat head screw M4 x 8	2					Yes
28	466094	Cap	1					Yes
29	400901	Raised-head screw M5 x 12	1					Yes
31	464334	Pressure spring	1					Yes
32	466093	Cap	1					Yes
33	467996	Clamping element	1					Yes
34	495829	Bearer	1					Yes
36	436528	Pressure spring	3					Yes
38	495008	Foldaway stop	1					Yes
39	495007	Foldaway stop	1					Yes
40	465104	Scale M4 x 8	1					Yes
41	471202	Tension bolt	1					Yes
42	464822	Slide	1					Yes
43	464821	Angle plate	1					Yes
44	465203	Intake flange	1					Yes
45	465204	Extractor tube	1					Yes
46	467692	Suction holder	1					Yes
47	467961	Raised-head screw M4 x 8	2					Yes
48	493153	Cover	1					Yes
49	493815	Shift knob	1					Yes
50	464837	Roller	1					Yes
51	467959	Pressure spring	1					Yes
52	464839	Lever	1					Yes
53	466890	Plug	2					Yes
54	400904	Raised-head screw M4 x 18	5					Yes

55	493921	Pendular housing	1					Yes
56	465947	Camshaft	3					Yes
57	466015	Screen	1					Yes
58	464840	Lever pendular	1					Yes
59	466262	Screen	1					Yes
60	472015	Pressure spring	2					Yes
61	493895	Main girder	1					Yes
62	228570	Raised-head screw M4 x 8	4					Yes
63	493920	Inside pot	1					Yes
64	401073	Ball bearing	1					Yes
65	493898	Pendular pot	1					Yes
66	400094	Raised-head screw M4 x 30	4					Yes
67	465024	Washer	3					Yes
68	493897	Gear	1					Yes
69	493896	Eccentric gear	1					Yes
70	485108	Fan	1					Yes
71	445566	Raised-head screw M4 x 14	8					Yes
72	493893	Connection flange	1					Yes
73	492418	Adjusting gate valve	1					Yes
74	469645	Cylinder pin	1					Yes
75	469643	Bracket	1					Yes
76	493899	Rotary-distributor	1					Yes
77	464453	Cutter shaft	1					Yes
78	229707	Ball bearing	1					Yes
79	400106	Washer	1					Yes
80	464847	Plug	1					Yes
81	400552	Safety screw	2					Yes
82	492629	Shut-off brush (pair)	1					Yes
83	465193	Air duct	1					Yes
84	400982	O-ring	1					Yes
85	228713	Raised-head screw 4,0 x 16 mm	2					Yes
86	228672	Ball bearing	1					Yes
87	493154	Motor housing	1					Yes
88	219031	Raised-head screw 3,5 x 10 mm	3					Yes
89	492779	Switch modul	1					Yes
90	465032	Cap	1					Yes
91	200911	O-ring	2					Yes
92	476348	Stop angle	1					Yes
93	469620	Clamping screw	2					Yes
94	---	Accessories - article no see catalog / price list	1					
95	465006	Lever	1					Yes
96	436528	Pressure spring	1					Yes
97	701474	Lock bolt	1					Yes
98	469763	Anti-slip covering	2					Yes
99	446002	Slide switch	1					Yes
100	761559	Snap ring	1					Yes
101	464873	Ball bearing	1					Yes
102	495348	Guide frame	1					Yes
103	494703	Rod incl. Pos 28, 32	1					Yes
104	494704	Rod incl. Pos 28, 32	1					Yes
105	401739	Open ended spanner SW 8	1					No
106	229949	Threaded pin M4 x 8	2					Yes
107	476350	Stop	1					Yes
108	761515	Washer 5,3 mm	2					Yes
109	477253	Axle	1					Yes

110	464087	Pressure spring	1					Yes
111	476349	Stop	18					Yes