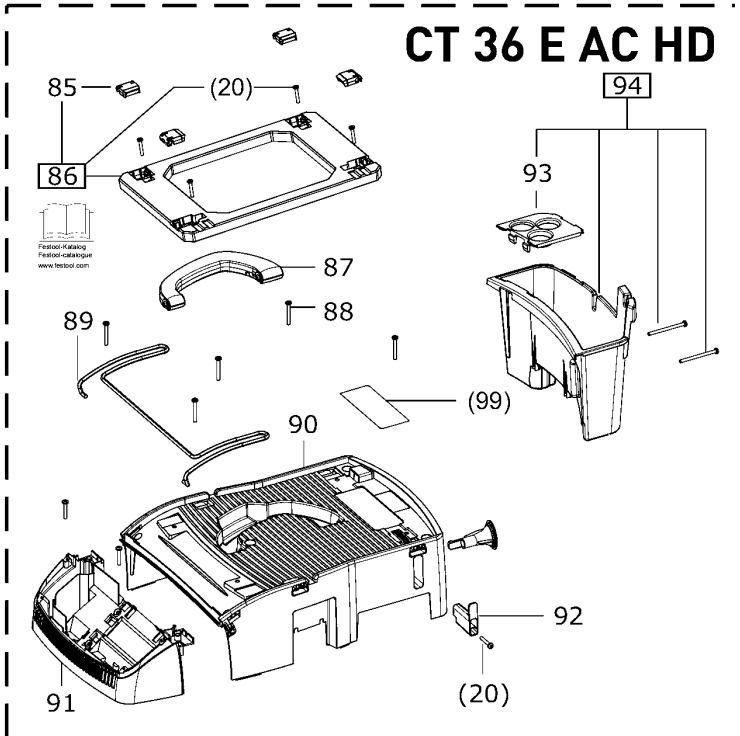
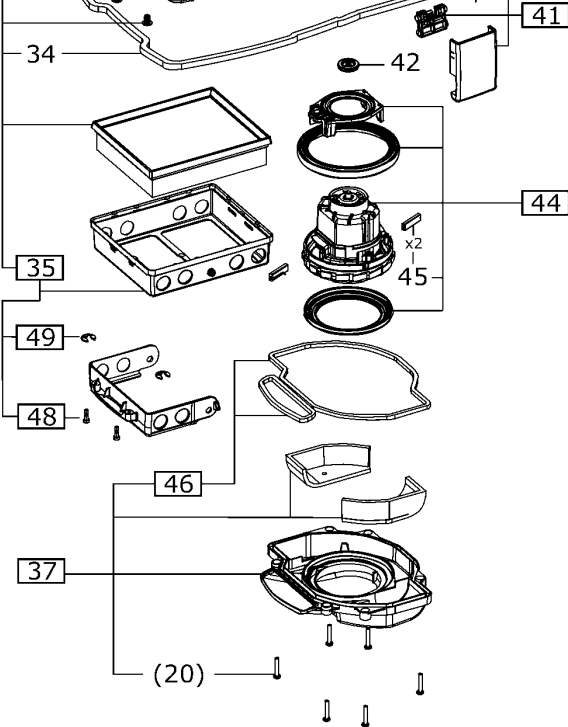
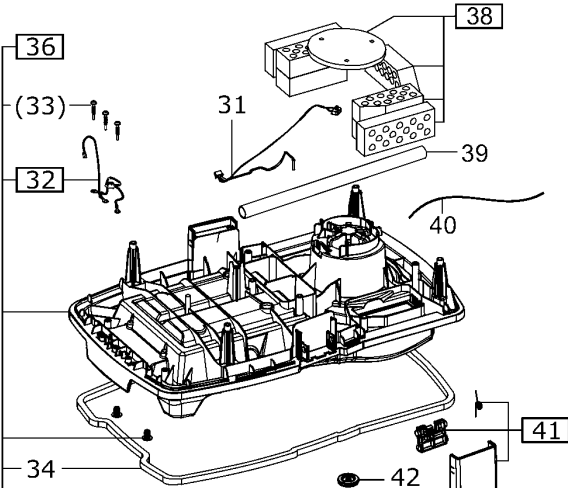
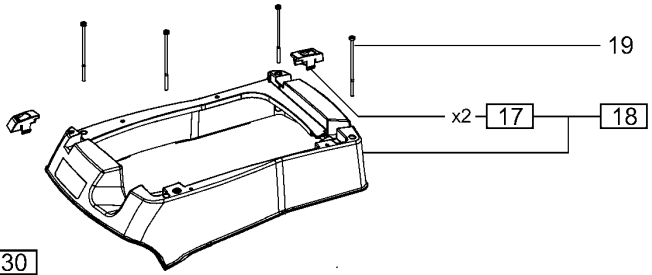
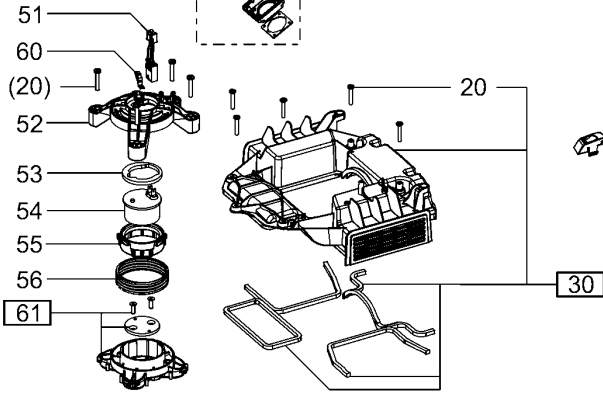
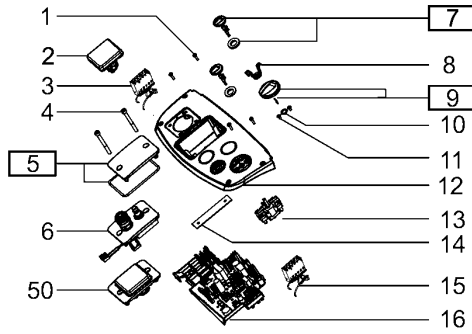
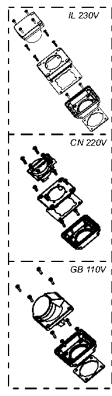
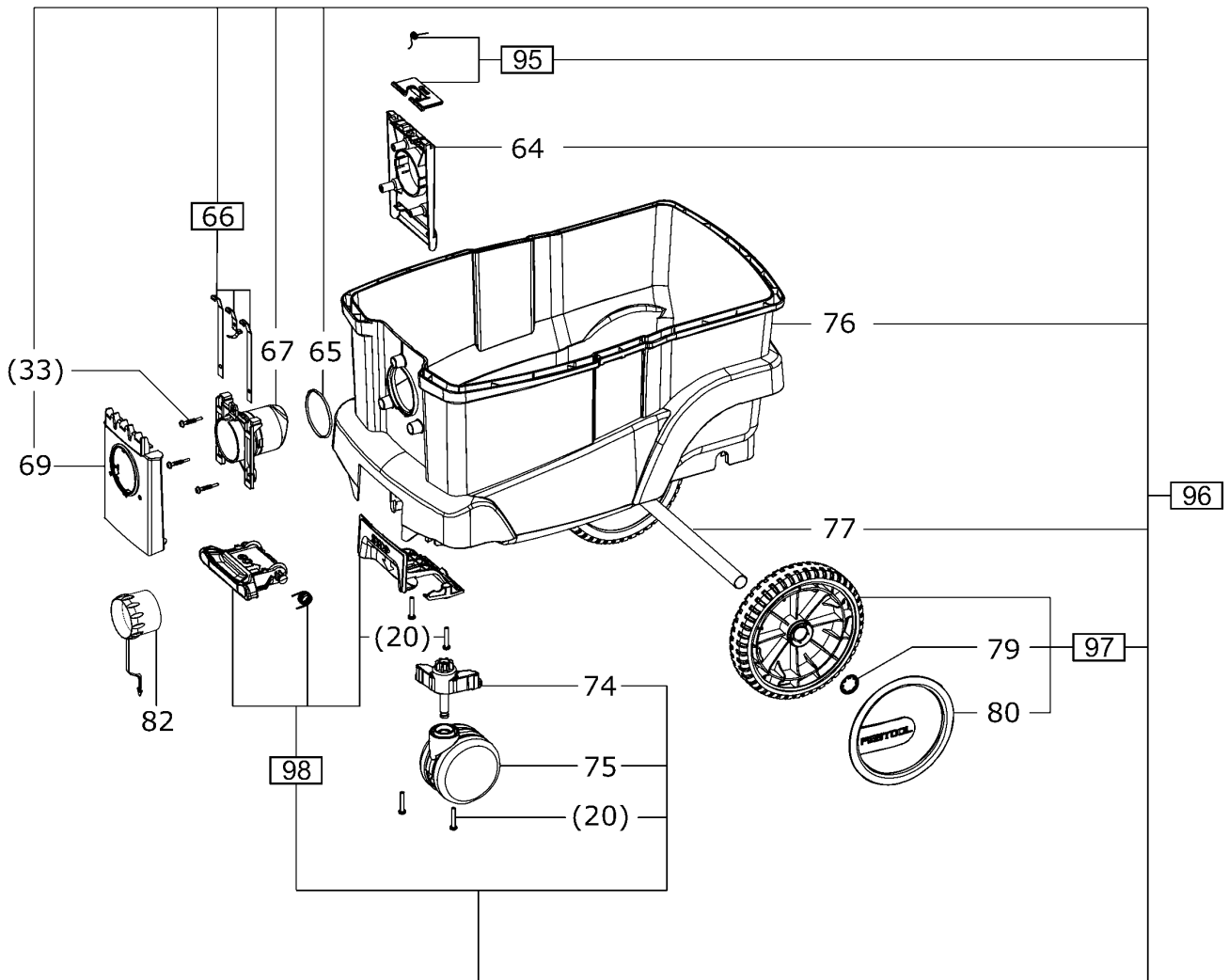
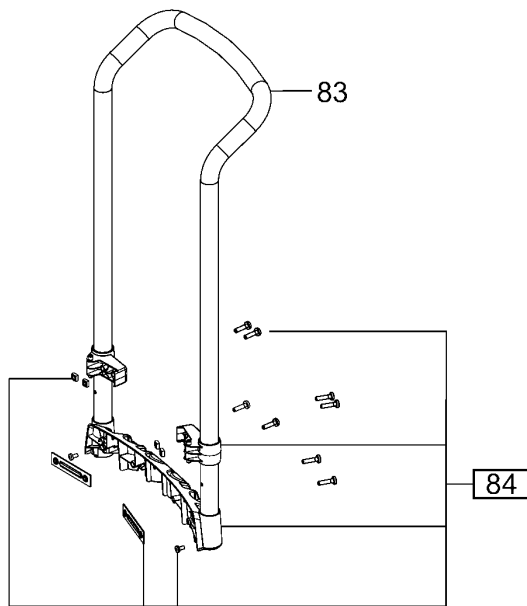


495851 - CTL 26 E 230V



Festool Katalog
Festool-OnlineShop
www.festool.com

495851 - CTL 26 E 230V



495851 - CTL 26 E 230V

Pos	Part No.	Description	Quantity	Price each Excl VAT	Price incl VAT	Currency	storage location	Warranty
1	452450	Raised-head screw 3,5 x 14 mm	4					Yes
2	200531	Socket	1					Yes
3	476985	Cable harness	1					Yes
4	476004	Cheese head screw	2					Yes
5	496234	Cover	1					Yes
7	496249	Rotary knob CT/CTL/CTM/CTH	1					Yes
9	496247	Rotary knob	1					Yes
10	452051	O-ring	1					Yes
11	452452	Flat head screw M4 x 8	2					Yes
12	496297	Screen CTL	1					Yes
13	496246	Switch	1					Yes
14	474953	Board segment	3					Yes
15	476114	Cable harness	1					Yes
16	496273	Electronic CT/CTL 220-240V	1					Yes
17	496236	Clamp	1					Yes
18	496237	Hood	1					Yes
19	474911	Cheese head screw	5					Yes
20	452447	Raised-head screw 5,0 x 30 mm	20					Yes
22	496238	Housing insert	1					Yes
23	496244	Grip	1					Yes
24	496243	Housing	1					Yes
25	496727	Cable holder	1					Yes
26	476795	Raised-head screw	2					Yes
27	476490	Cable with plug HO7RN-F	1					Yes
28	xxx	No longer available	1					
29	474666	Cable clamp	1					Yes
30	496250	Seal kit	1					Yes
31	496252	Cable harness CT/CTL	1					Yes
32	496773	Flexible lead pack AUS / USA	1					Yes
33	467456	Raised-head screw	6					Yes
34	10002861	Container seal	1					Yes
35	496255	Filter holder	1					Yes
36	496284	Filter housing CTL / CTM	1					Yes
36	498824	Filter housing CTL / CTM AC	1					Yes
37	500313	Cover	1					Yes
38	496258	Noise insulation	1					Yes
39	200584	Cable bushing	1					Yes
40	473981	Cable harness 220-240V	1					Yes
41	496262	Clamp	2					Yes
44	496264	Turbine 220-240V	1					Yes
45	496268	Carbon set 220-240V	1					Yes
46	496256	Seal kit	1					Yes
51	200889	Cable harness	1					Yes
52	700054	Holder	1					Yes
52	701594	Holder	1					Yes
53	700053	Dampening ring	1					Yes
54	700050	Solenoid 220-240V	1					Yes
55	700051	Magnetic holder	1					Yes
56	10002174	Spring	1					Yes
60	200528	Spring plate	1					Yes

61	498827	Valve collar	1					Yes
64	474774	Holder	1					Yes
65	xxx	No longer available	1					
66	496221	Contact	1					Yes
67	474044	Sleeve	1					Yes
69	496223	Screen CT26	1					Yes
75	452840	Roller	2					Yes
76	496233	Container CT26	1					Yes
77	474047	Pipe CT 26/36	1					Yes
79	467699	Tooth ring	2					Yes
80	474122	Wheel cover	2					Yes
82	452899	Blanking plug	1					No
83	---	Accessories - article no see catalog / price list	1					
84	500253	Assembly set	1					Yes
85	701069	Locking latch	4					Yes
86	---	Accessories - article no see catalog / price list	1					
87	500318	Grip	1					Yes
88	452449	Raised-head screw 5,0 x 40 mm	6					Yes
89	35000546	Bracket	1					Yes
90	500320	Housing	1					Yes
91	500319	Housing insert	1					Yes
92	201023	Cable clamp	1					Yes
93	500321	Container	1					Yes
94	35000553	Container	1					Yes
95	500314	Bracket	1					Yes
96	500327	Container	1					Yes
97	500316	Wheel	1					Yes
98	500317	Pedal	1					Yes
99	477176	Warning plate	1					200656