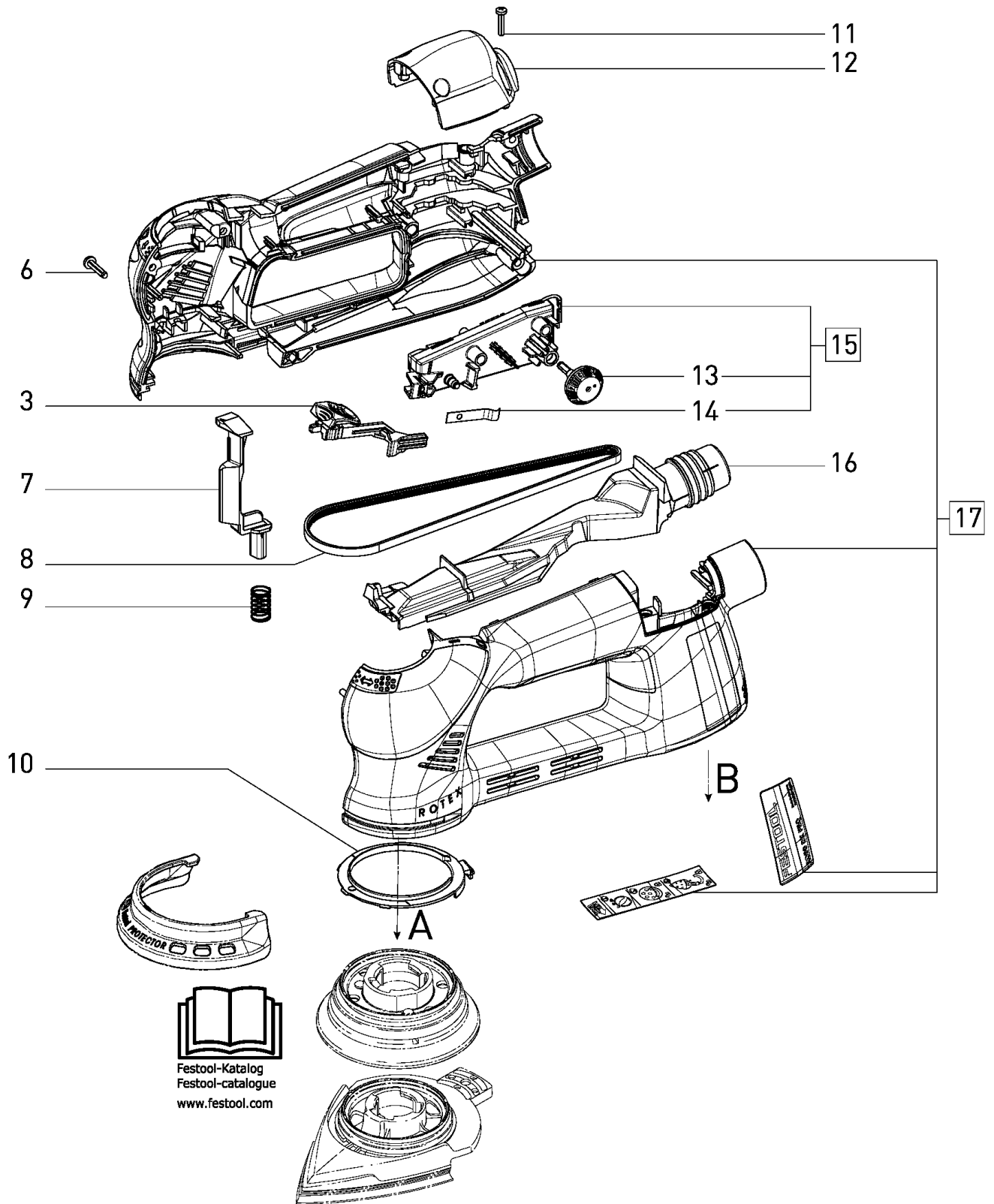
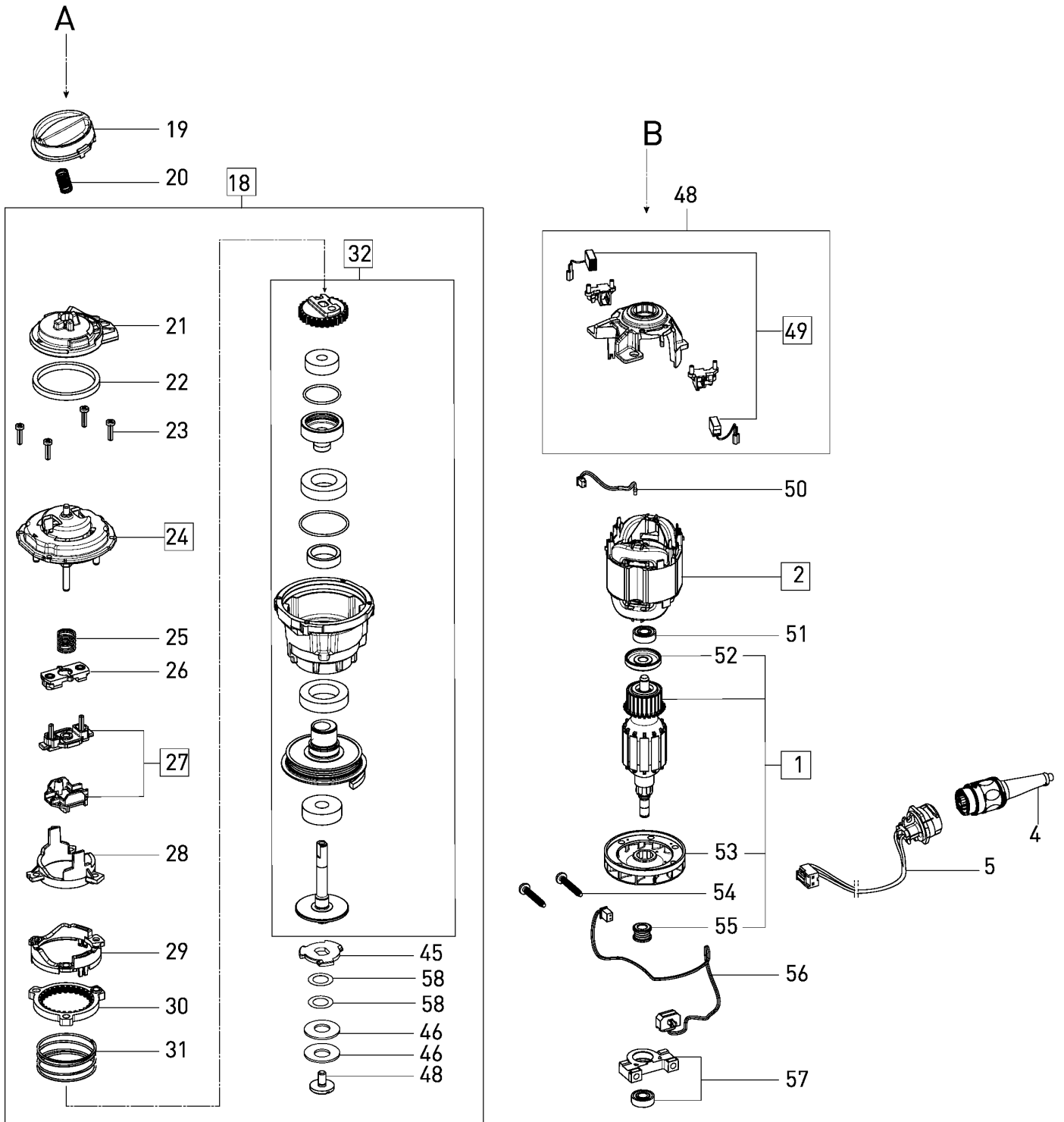


495618 - RO 90 DX FEQ 230V



495618 - RO 90 DX FEQ 230V



**495618 - RO 90 DX FEQ 230V**

<b>Pos</b>	<b>Part No.</b>	<b>Description</b>	<b>Quantity</b>	<b>Price each Excl VAT</b>	<b>Price incl VAT</b>	<b>Currency</b>	<b>storage location</b>	<b>Warranty</b>
1	497784	Armature	1					Yes
2	497780	Field assembly	1					Yes
3	477835	Slide switch	1					Yes
4	---	Accessories - article no see catalog / price list	1					
5	700539	Socket housing	1					Yes
6	400584	Raised-head screw 3,5 x 16 mm	7					Yes
7	477958	Rod	1					Yes
8	477524	V-ribbed belt	1					Yes
9	476168	Pressure spring	1					Yes
10	478193	Stop ring	1					Yes
11	401089	Raised-head screw	1					Yes
12	477837	Bearing cover	1					Yes
13	478331	Adjusting Knob	1					Yes
14	700344	Spring	1					Yes
15	497469	Electronic	1					Yes
16	477451	Extractor tube	1					Yes
17	497772	Housing	1					Yes
18	497773	Gear	1					Yes
19	476176	Rotary knob	1					Yes
20	476171	Pressure spring	1					Yes
21	476177	Regulating cap	1					Yes
22	477519	Felt washer	1					Yes
23	219069	Raised-head screw 3,0 x 12 mm	4					Yes
24	497774	Gear cover	1					Yes
25	477522	Pressure spring	1					Yes
26	700656	Buffer	1					Yes
27	497775	Coupling	1					Yes
28	476179	Shift-fork	1					Yes
29	476175	Control ring	1					Yes
30	476178	Ring gear	1					Yes
31	476167	Pressure spring	1					Yes
32	497776	Gear	1					Yes
45	476183	Holding plate	1					Yes
46	476209	Spring washer	2					Yes
47	204120	Flat head screw M5 x 8	1					Yes
48	496777	Bearing bridge	1					Yes
49	492629	Shut-off brush (pair)	1					Yes
50	479024	PTC resistor	1					Yes
51	400798	Ball bearing	1					Yes
54	228725	Raised-head screw 3,5 x 25 mm	2					Yes
56	702827	Speed indicator	1					Yes
57	477836	Bearing bridge	1					Yes
58	761526	Washer	2					Yes
120	---	Accessories - article no see catalog / price list	1					
130	---	Accessories - article no see catalog / price list	1					
140	---	Accessories - article no see catalog / price list	1					
150	---	Accessories - article no see catalog / price list	1					
160	---	Accessories - article no see catalog / price list	1					