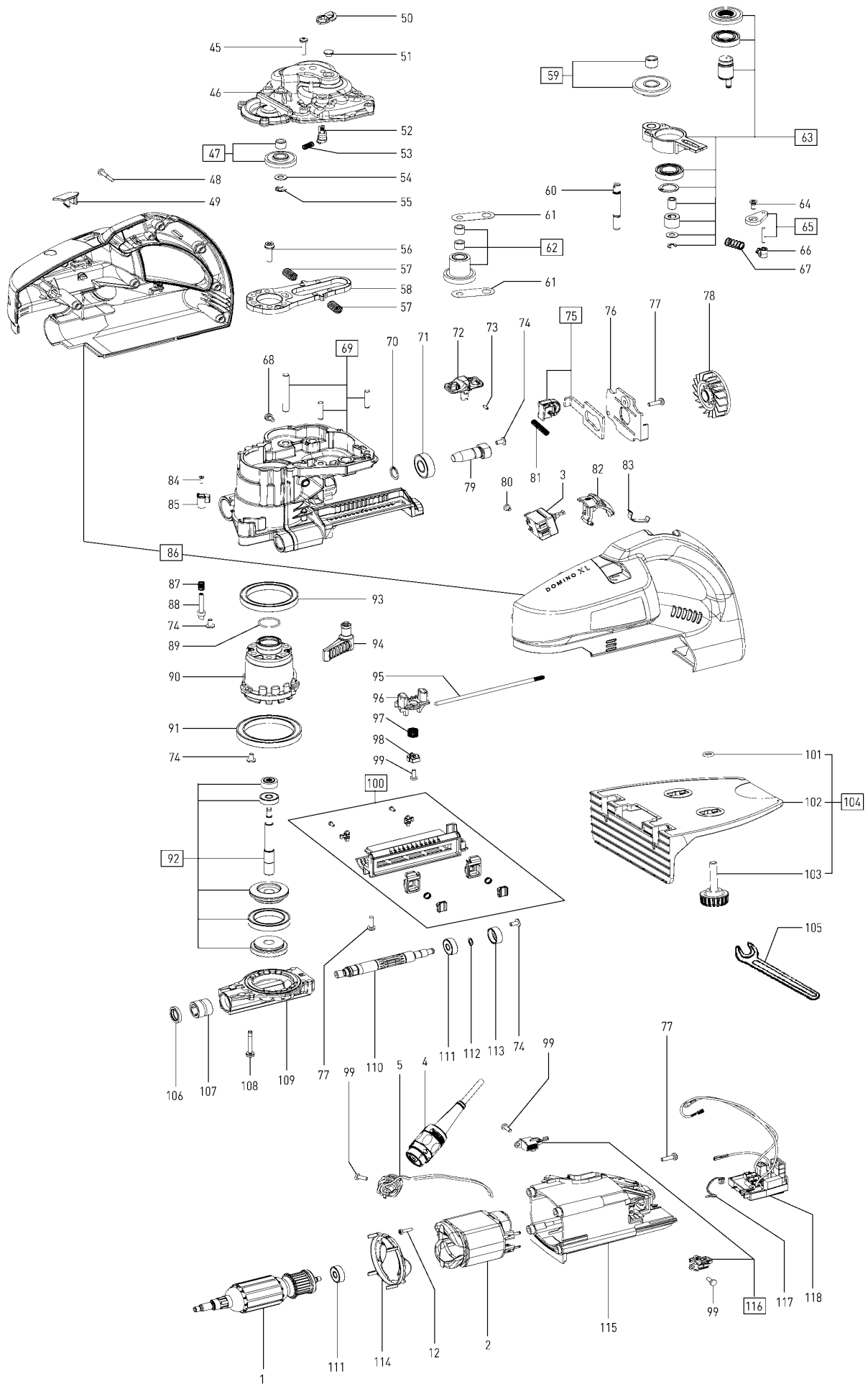


497647 - DF 700 EQ 230V

# 497647 - DF 700 EQ 230V



## 497647 - DF 700 EQ 230V

Pos	Part No.	Description	Quantity	Price each Excl VAT	Price incl VAT	Currency	storage location	Warranty
1	498769	Armature	1					Yes
2	10008028	Field assembly	1					Yes
3	451383	Switch	1					Yes
4	---	Accessories - article no see catalog / price list	1					
5	700537	Socket housing	1					Yes
6	493779	R - segment	1					Yes
7	10001284	Base	1					Yes
8	498695	Grip	1					Yes
9	478995	Threaded pin	1					Yes
10	498316	Clamp lever	1					Yes
11	401076	Screw	1					Yes
12	219069	Raised-head screw 3,0 x 12 mm	3					Yes
13	401111	Threaded insert	1					Yes
14	478981	Lock-out mechanism	1					Yes
15	401107	Raised-head screw	2					Yes
16	700563	Cover	1					Yes
17	700564	Cover	1					Yes
18	478982	Spring plate	1					Yes
19	478979	Spring plate	1					Yes
20	478978	Lock-out mechanism	1					Yes
21	479264	Cylinder pin	2					Yes
22	401104	Threaded pin	2					Yes
23	203387	Threaded pin M4 x 12	1					Yes
24	10000925	Indicator	1					Yes
25	470216	Raised-head screw M4 x 12	1					Yes
26	400286	Pressure clamping element	2					Yes
27	228582	Raised-head screw M4 x 10	2					Yes
28	478973	Cover	1					Yes
29	401117	Round-head screw	2					Yes
30	497594	Extractor connector	1					Yes
31	498696	Base	1					Yes
32	400983	Raised-head screw	5					Yes
33	478966	Scale	1					Yes
34	701458	Scale	1					Yes
35	10001040	Segment	1					Yes
36	701872	Label	1					Yes
37	469141	Pin	2					Yes
38	497651	Slide	1					Yes
39	498315	Clamp lever	1					Yes
40	702486	Stop	6					Yes
41	498696	Base	1					Yes
42	228616	Raised-head screw M4 x 5	1					Yes
43	478969	Slide	1					Yes
44	478970	Holding plate	1					Yes
45	400904	Raised-head screw M4 x 18	8					Yes
46	479956	Gear cover	1					Yes
47	497305	Cylinder gear	1					Yes
48	473901	Raised-head screw 3,5 x 22 mm	9					Yes
49	479661	Cover	1					Yes
50	700376	Indicator washer	1					Yes

51	10001078	Plug	1					Yes
52	700374	Swivel arm	1					Yes
53	700375	Pressure spring	1					Yes
54	236065	Shim ring	1					Yes
55	208623	Washer	1					Yes
56	700032	Screw	6					Yes
57	479606	Pressure spring	2					Yes
58	701282	Connecting member	1					Yes
59	497307	Cylinder gear	1					Yes
60	479628	Axle	1					Yes
61	700178	Screen	2					Yes
62	497306	Cylinder gear	1					Yes
63	498700	Bearing plate	1					Yes
64	400681	Flat head screw M4 x 10	1					Yes
65	497344	Sheet metal	1					Yes
66	479637	Spring holder	1					Yes
67	479639	Pressure spring	1					Yes
68	10001832	Cheese head screw	1					Yes
69	498699	Gear housing	1					Yes
70	401062	Snap ring	1					Yes
71	400048	Ball bearing	1					Yes
72	479649	Slide	1					Yes
73	400882	Threaded pin	1					Yes
74	401063	Cheese-head screw	7					Yes
75	497347	Slide	1					Yes
76	479610	Cover	1					Yes
77	445566	Raised-head screw M4 x 14	8					Yes
78	700718	Fan wheel	1					Yes
79	498773	Conical gear wheel	1					Yes
80	455593	Raised-head screw M3,5 x 5	1					Yes
81	479612	Pressure spring	1					Yes
82	479674	Switch lever	1					Yes
83	700658	Catch spring	1					Yes
84	401127	Flat head screw	1					Yes
85	479619	Cap	1					Yes
86	498698	Housing	1					Yes
87	436528	Pressure spring	1					Yes
88	479618	Lock bolt	1					Yes
89	200942	O-ring	1					Yes
90	499615	Housing	1					Yes
91	401073	Ball bearing	1					Yes
92	498701	Gear shaft	1					Yes
93	401072	Ball bearing	1					Yes
94	700505	Lever	1					Yes
95	479656	Tappet	1					Yes
96	479650	Catch	1					Yes
97	715027	Pressure spring	1					Yes
98	700458	Support	1					Yes
99	219031	Raised-head screw 3,5 x 10 mm	5					Yes
100	497593	Cover	1					Yes
101	200911	O-ring	2					Yes
102	469159	Stop angle	1					Yes
103	469620	Clamping screw	2					Yes
104	498885	Stop angle	1					Yes
105	401081	Open ended spanner	1					No

106	700027	Sealing ring	1					Yes
107	401057	Needle bearing	1					Yes
108	400094	Raised-head screw M4 x 30	8					Yes
109	499615	Housing	1					Yes
110	479643	Cutter spindle	1					Yes
111	228672	Ball bearing	2					Yes
112	200616	Snap ring	1					Yes
113	479644	Cover	1					Yes
114	479698	Air guide washer	1					Yes
115	700020	Motor housing	1					Yes
116	498697	Carbon set	1					Yes
117	10007991	PTC resistor	1					Yes
118	497467	Electronic	1					Yes